

USING THE STERNA-BAND

Step 1: The band may be placed trans-sternally.

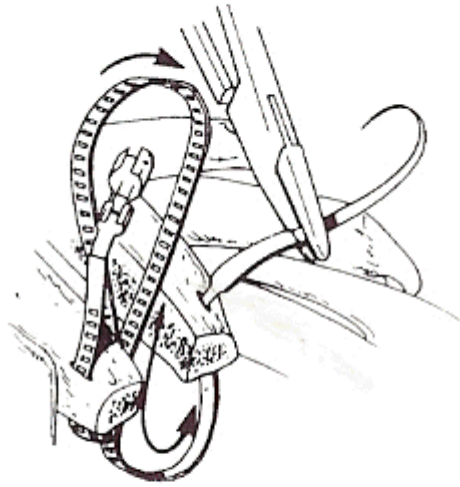


The band may also be placed para-sternally.



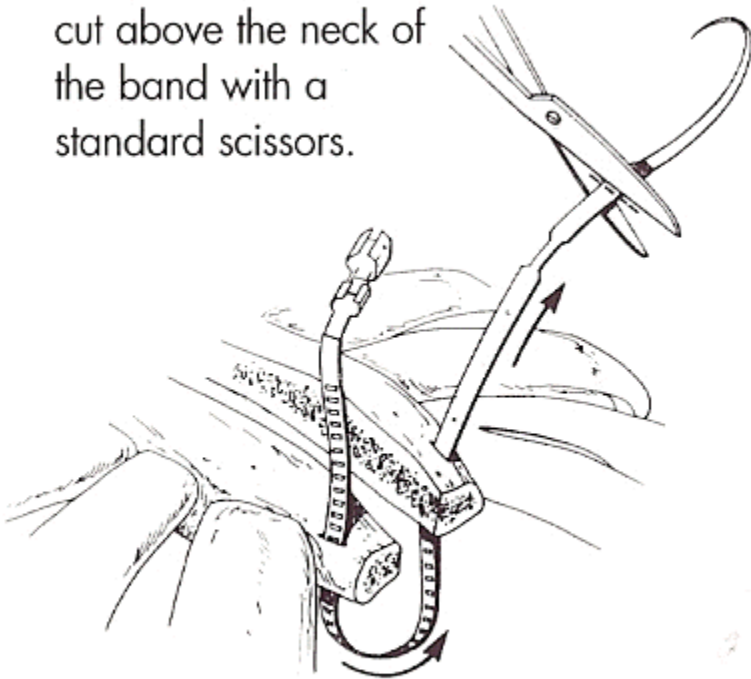
Step 1

Step 2



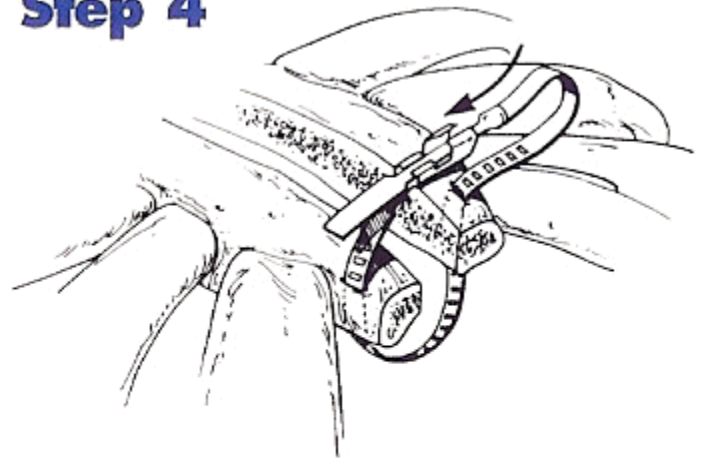
Step 2: Placement in second half of the sternum should be parallel to the first.

Step 3: The needle is cut above the neck of the band with a standard scissors.



Step 3

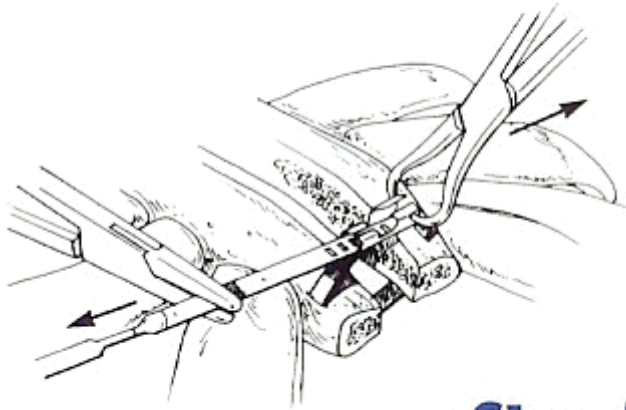
Step 4



Step 4: Narrow neck of the band is introduced into the channel of the buckle. (Dome at end of neck provides easy entry.)

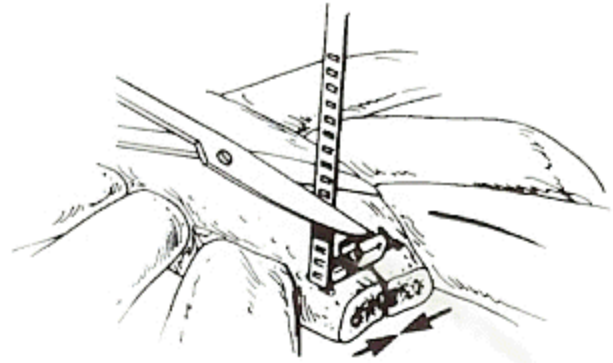
USING THE STERNA-BAND

Step 5: Towel clamp is inserted into holes in buckle. Each band is closed sequentially as the tooth engages slots of band. Keep the buckle and band parallel to the chest when tightening. Do not pull upward.



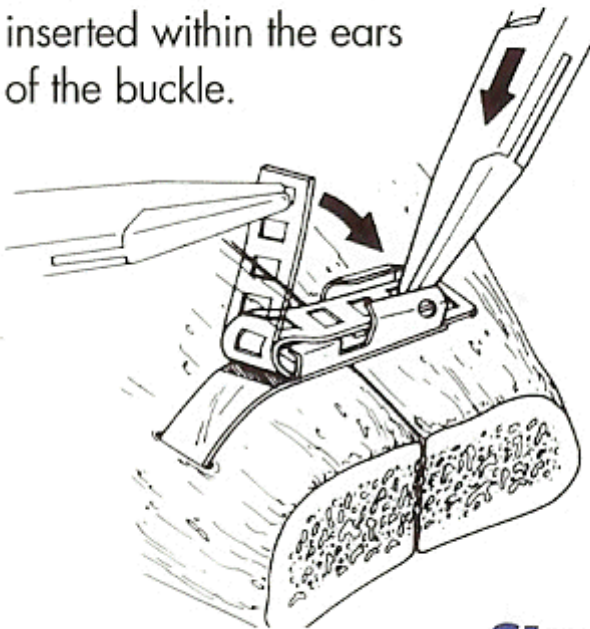
Step 5

Step 6



Step 6: After secure approximation is achieved, the band is cut at four or five slots beyond the buckle.

Step 7: The band is bent back on itself and inserted within the ears of the buckle.



Step 7

Step 8



Step 8: The ears of the buckle are crimped to provide a second safety lock.